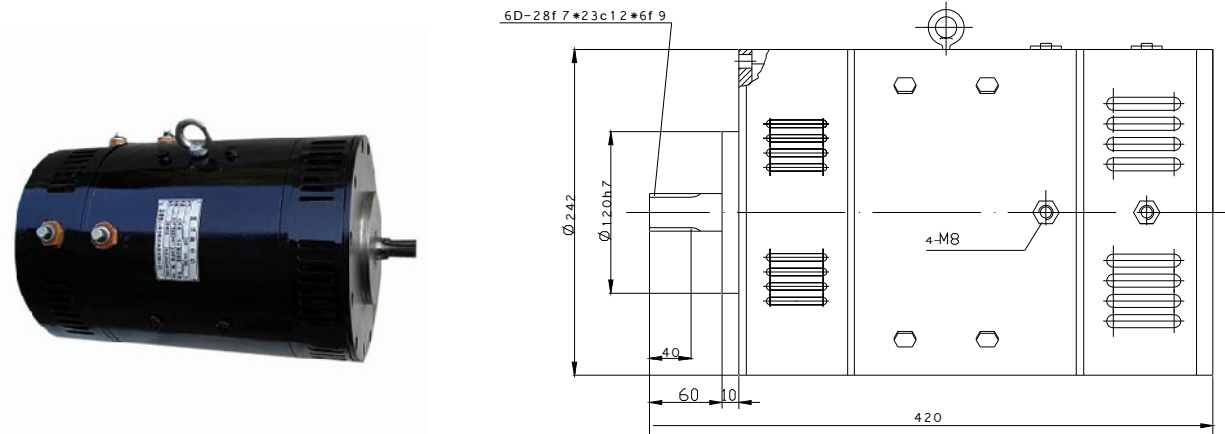


# DC/T7.5-108

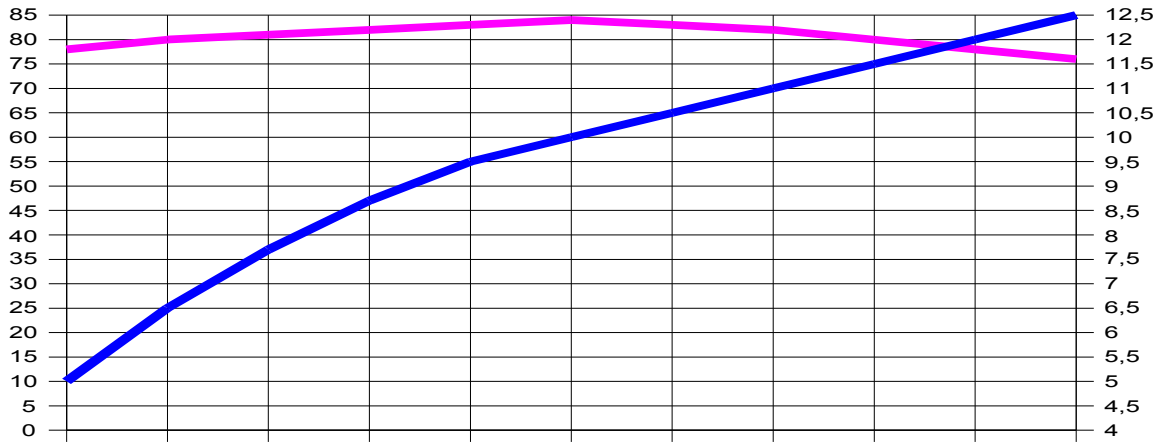
series DC motor



Type	Rated voltage (V)	Rated output (KW)	Rated current (A)	Rated speed (r/min)	Rated torque (N.m)	Weight (kg)
DC/T7.5-108	108	7.5	85	3000	24.5	62

Efficiency (%)

Power (kW)



Speed (r/min)

Current (A)

